



Western Michigan University
ScholarWorks at WMU

Legacy Scout Tickets from Pure Oil Company

8-20-2021

MGRRE_PureOilScoutTickets_Sajdak, George_1_21017105630000

MGRRE

Western Michigan University

Follow this and additional works at: <https://scholarworks.wmich.edu/pure>



Part of the Geology Commons

WMU ScholarWorks Citation

MGRRE, "MGRRE_PureOilScoutTickets_Sajdak, George_1_21017105630000" (2021). *Legacy Scout Tickets from Pure Oil Company*. 829.

<https://scholarworks.wmich.edu/pure/829>

This Document is brought to you for free and open access via ScholarWorks at WMU. It has been accepted for inclusion in Legacy Scout Tickets from Pure Oil Company by an authorized administrator of ScholarWorks at WMU. See the National Digital Catalogue - Science Base Catalogue for more collections submitted by MGRRE.



MGRRE_PureOilScoutTickets_Sajdak, George_1_21017105630000

API 21017105630000

Permit Number 10563

Lease Name Sajdak, George

Well Number 1

County Bay

Township 15N

Range 04E

Section 26

2021 DEQ or Pure co_name Muskegon Development Company

Pure Number 171

Latitude 43.6684

Longitude -83.95758

THE PURE OIL COMPANY LOCATION REPORT

Date December 29, 1943 A.F.E. No. _____

Division Mich. Producing District _____ Lease George Sajdak
George Sajdak

Acres _____ Lease No. _____ Elevation _____ Well No. 1 (Serial No. 171)

Quadrangle C S 1/2 SW SE Sec. 26 Twp. 15 N Rge. 4 E ~~Dist.~~ Kawkawlin
C S 1/2 SW SE 26 15 N 4 E ~~Dist.~~ Kawkawlin

Survey _____ County Bay State Michigan

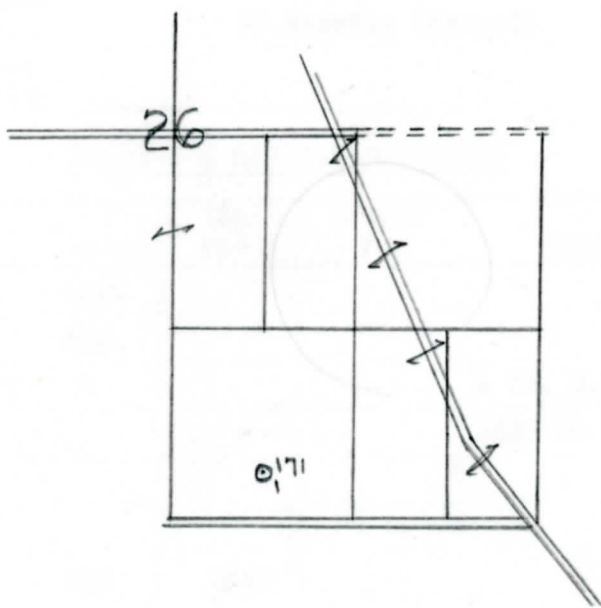
Operator C. W. Jones Map Kawkawlin Twp., Bay Co.
C. W. Jones Kawkawlin Township, Bay County

Feet from North Line of Lease	
330	330
660	660
Feet from North Line of Section	
330	330
660	660

Low

LEGEND

- Location
- ☉ Gas Well
- Oil Well
- ☉ Gas - Distillate Well
- or ○ Dry Hole
- Dry Showing Oil
- ☉ Dry Showing Gas
- Abandoned Location
- ☉ or ☉ Abandoned Gas Well
- or ● Abandoned Oil Well
- or ○ Input Well



Scale _____

Remarks: _____

Submitted by RN Civil Engineer

Approved by _____ Division Manager

Approved by _____ Vice-President - General Manager

Date _____
 December 30, 1943

ГОСЦИОН БЕБОВИ
 THE PURE OIL COMPANY
 The Pure Oil Company

COMPLETION RECORD OF WELLS DRILLED BY OTHER OPERATORS

Michigan Producing Division

Date May 24, 1944 No. 171
 State Mich. County Bay ~~XXXX~~ Twp. Kawkawlin Sec. 26 Twp. 15 N Rge. 4 E
 Well No. 1 (~~XXXXXXXXXX~~) 171 Farm Geo. Sajdak Acres _____
 Operator C. W. Jones Information secured ~~XXXX~~ By Scouting Department
 Date well started 3-20-44 Date well completed 5-6-44 Elevation 594.5

PRODUCTION BOARD

48
 1st ~~24~~ hours natural Filled up 1200 ft.
 2nd 24 hours natural _____
 Date of shot _____ No. of quarts _____ From _____ to _____ From _____ to _____
 Date of acid 5-17-44 No. of gallons 500
 1st 24 hours after acid ~~XXXX~~ 35 Barrels (Pumped)
 shot _____
 2nd 24 hours after acid _____

FORMATION AND CASING RECORD

Formation	Top	Bottom	Top Pay	Bottom Pay	Remarks	Casing	
						Size	Set at
Coldw. Red Rock	1415	1418				10"	88
Sunbury	1555	SLM.				8-1/4"	772
Berea	1573	"			4 ba. S.W./Hr. 1635 to 1640.	6-5/8"	1752
Antrim	1766					5-3/16"	2811
Traverse Lime	2100						
Dundee	2800	SLM	2865				
			2902				
Total Depth		2925					

Remarks 1572' CTM equals 1565' SLM.

Signed D. C. Shackelford