



Western Michigan University  
ScholarWorks at WMU

---

Legacy Scout Tickets from Pure Oil Company

---

8-20-2021

## MGRRE\_PureOilScoutTickets\_Swantek & Consumers\_1\_21017109660000

MGRRE

*Western Michigan University*

Follow this and additional works at: <https://scholarworks.wmich.edu/pure>



Part of the Geology Commons

---

### WMU ScholarWorks Citation

MGRRE, "MGRRE\_PureOilScoutTickets\_Swantek & Consumers\_1\_21017109660000" (2021). *Legacy Scout Tickets from Pure Oil Company*. 843.

<https://scholarworks.wmich.edu/pure/843>

This Document is brought to you for free and open access via ScholarWorks at WMU. It has been accepted for inclusion in Legacy Scout Tickets from Pure Oil Company by an authorized administrator of ScholarWorks at WMU. See the National Digital Catalogue - Science Base Catalogue for more collections submitted by MGRRE.



---

**MGRRE\_PureOilScoutTickets\_Swantek & Consumers\_1\_21017109660000**

API 21017109660000

Permit Number 10966

Lease Name Swantek & Consumers

Well Number 1

County Bay

Township 15N

Range 04E

Section 35

2021 DEQ or Pure co\_name Muskegon Development Company

Pure Number 185

Latitude 43.6577406

Longitude -83.9529504

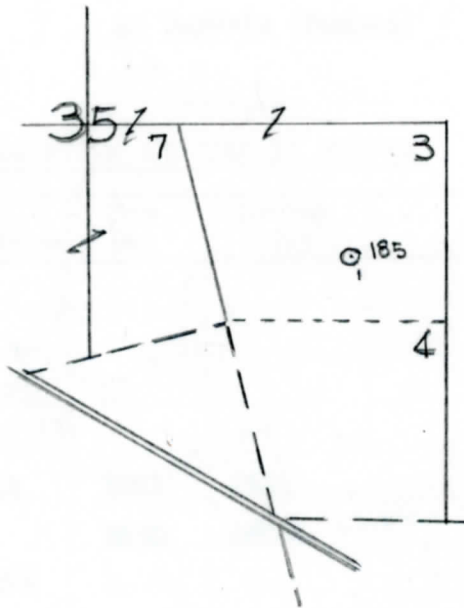
# THE PURE OIL COMPANY LOCATION REPORT

Date August 9, 1944 A.F.E. No. \_\_\_\_\_  
 Division Mich. Producing District \_\_\_\_\_ Lease Swantek-Consumers  
 Acres \_\_\_\_\_ Lease No. \_\_\_\_\_ Elevation \_\_\_\_\_ Well No. 1 (Serial No. 185)  
 Quadrangle C S 1/2 NE SE Sec. 35 Twp. 15 N Rge. 4 E Twp. Kawkawlin  
 Survey \_\_\_\_\_ County Bay State Michigan  
 Operator Gulf Refining Company Map Kawkawlin Township, Bay County

		Feet from North Line of Lease
<u>660</u>	<u>660</u>	" " East " " "
<u>396</u>	<u>396</u>	" " South " " "
		" " West " " "
		Feet from North Line of Section
<u>923</u>	<u>923</u>	" " East " " "
<u>660</u>	<u>660</u>	" " South " " "
		" " West " " "

### LEGEND

- Location
- ☀ Gas Well
- Oil Well
- ☀ Gas - Distillate Well
- ⊘ or ○ Dry Hole
- Dry Showing Oil
- ☀ Dry Showing Gas
- ⊘ Abandoned Location
- ☀ or ☀ Abandoned Gas Well
- or ● Abandoned Oil Well
- or ○ Input Well



Scale \_\_\_\_\_

Remarks: \_\_\_\_\_  
 \_\_\_\_\_  
 \_\_\_\_\_

Submitted by RN Civil Engineer Approved by \_\_\_\_\_ Division Manager  
 Approved by \_\_\_\_\_ Vice-President - General Manager

The Pure Oil Company  
COMPLETION RECORD OF WELLS DRILLED BY OTHER OPERATORS

Michigan Producing Division

Date September 27, 1944 No. 185  
 State Mich. County Bay District Kawkawlin Sec. 35 Twp. 15 N Rge. 4 E  
 (Serial No.)  
 Well No. 1 (County No.) 185 Farm Swantak-Consumers Acres  
 Operator Gulf Refining Company Information secured By Scouting Department  
 Date well started 8-10-44 Date well completed 9-13-44 Elevation 595.8

PRODUCTION BOARD

1st 24 hours natural Filled up 800 ft.  
 2nd 24 hours natural  
 Date of shot No. of quarts From to From to  
 Date of acid 9-21-44 No. of gallons 500  
 1st 24 hours after acid 49 Barrels (Pumped)  
 shot  
 2nd 24 hours after acid

FORMATION AND CASING RECORD

Formation	Top	Bottom	Top Pay	Bottom Pay	Remarks	Casing	
						Size	Set at
Sunbury	1520	(-924)				10"	102
Berea	1548	(-952)				8-1/4"	783
Antrim	1730	(-1134)				6-5/8"	2786
Traverse Lime	2075	(-1479)					
Dundee	2756	SLM	2821	2844	(-2225)		
	(-2160)		2852	2905	(-2256)		
Total Depth		2906	(-2310)				

Remarks

Signed D. C. Shackelford