



Western Michigan University  
ScholarWorks at WMU

---

Legacy Scout Tickets from Pure Oil Company

---

8-20-2021

**MGRRE\_PureOilScoutTickets\_Cramer\_1\_21017111020000**

MGRRE

*Western Michigan University*

Follow this and additional works at: <https://scholarworks.wmich.edu/pure>



Part of the Geology Commons

---

#### **WMU ScholarWorks Citation**

MGRRE, "MGRRE\_PureOilScoutTickets\_Cramer\_1\_21017111020000" (2021). *Legacy Scout Tickets from Pure Oil Company*. 847.

<https://scholarworks.wmich.edu/pure/847>

This Document is brought to you for free and open access via ScholarWorks at WMU. It has been accepted for inclusion in Legacy Scout Tickets from Pure Oil Company by an authorized administrator of ScholarWorks at WMU. See the National Digital Catalogue - Science Base Catalogue for more collections submitted by MGRRE.



---

**MGRRE\_PureOilScoutTickets\_Cramer\_1\_21017111020000**

API 21017111020000

Permit Number 11102

Lease Name Cramer

Well Number 1

County Bay

Township 15N

Range 04E

Section 35

2021 DEQ or Pure co\_name Muskegon Development Company

Pure Number 189

Latitude 43.6664608

Longitude -83.9578147

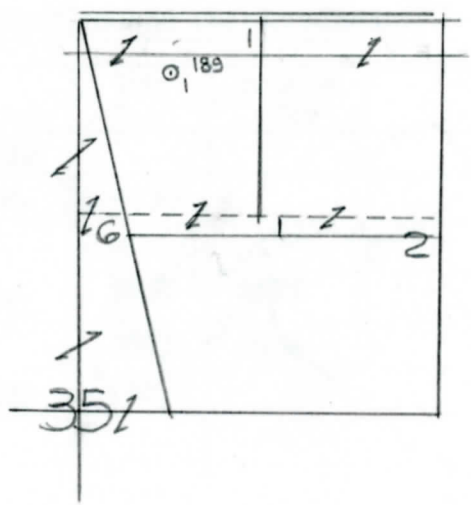
# THE PURE OIL COMPANY LOCATION REPORT

Date October 4, 1944 A.F.E. No. \_\_\_\_\_  
 Division Mich. Producing District \_\_\_\_\_ Lease Cramer  
Cramer  
 Acres \_\_\_\_\_ Lease No. \_\_\_\_\_ Elevation \_\_\_\_\_ Well No. 1 (Serial No. 189)  
 Quadrangle C 10 1/2 NW NE Sec. 35 Twp. 15 N Rge. 4 E Twp. Kawkawlin  
 Survey \_\_\_\_\_ County Bay State Michigan  
 Operator Gulf Refining Company Map Kawkawlin Township, Bay County

<u>380</u>	<u>380</u>	Feet from North Line of Lease
_____	_____	" " East " " "
_____	_____	" " South " " "
<u>660</u>	<u>660</u>	" " West <u>1/4</u> "
<u>380</u>	<u>380</u>	Feet from North Line of Section
_____	_____	" " East " " "
_____	_____	" " South " " "
<u>660</u>	<u>660</u>	" " West " " "

### LEGEND

- Location
- ☀ Gas Well
- Oil Well
- ☀ Gas - Distillate Well
- ⊘ or ○ Dry Hole
- Dry Showing Oil
- ☀ Dry Showing Gas
- ⊘ Abandoned Location
- ☀ or ☀ Abandoned Gas Well
- or ● Abandoned Oil Well
- or ○ Input Well



Remarks: \_\_\_\_\_  
 \_\_\_\_\_  
 \_\_\_\_\_

Submitted by \_\_\_\_\_ Approved by \_\_\_\_\_  
 Civil Engineer Division Manager  
 Approved by \_\_\_\_\_  
 Vice-President - General Manager

The Pure Oil Company  
COMPLETION RECORD OF WELLS DRILLED BY OTHER OPERATORS

Michigan Producing Division

Date **November 22, 1944** No. **189**  
 State **Mich.** County **Bay** ~~Dist.~~ Twp. **Kawkawlin** Sec. **35** Twp. **15 N** Rge. **4 E**  
 Well No. **1** (Serial No.) ~~(County No.)~~ **189** Farm **Cramer** Acres  
 Operator **Gulf Refining Company** Information secured ~~from~~ **By Scouting Department**  
 Date well started **10-3-44** Date well completed **11-6-44** Elevation **597.1**

PRODUCTION BOARD

1st 24 hours natural **Filled up 400 ft.**  
 2nd 24 hours natural  
 Date of shot No. of quarts From To From to  
 Date of acid **11-17-44** No. of gallons **500**  
**15** ~~8786~~  
 1st ~~24~~ hours after acid **78 Barrels (Pumped)**  
 shot  
 2nd 24 hours after acid

FORMATION AND CASING RECORD

Formation	Top	Bottom	Top Pay	Bottom Pay	Remarks	Casing	
						Size	Set at
Sunbury	1530	(-933)				10"	91
Berea	1555	SLM.	(-958)			8-1/4"	782
Traverse Lime	2098	"	(-1501)	(-2250)		6-5/8"	2809
Dundee	2798	"	2855	2875			
		(-2201)	2893	2934			
Total Depth		2938	(-234)				

Remarks **2065' equals 2068' SLM.**

Signed **D. C. Shackelford**