



Western Michigan University
ScholarWorks at WMU

Legacy Scout Tickets from Pure Oil Company

8-20-2021

MGRRE_PureOilScoutTickets_Bennett, L._1_21021068160000

MGRRE

Western Michigan University

Follow this and additional works at: <https://scholarworks.wmich.edu/pure>



Part of the Geology Commons

WMU ScholarWorks Citation

MGRRE, "MGRRE_PureOilScoutTickets_Bennett, L._1_21021068160000" (2021). *Legacy Scout Tickets from Pure Oil Company*. 968.

<https://scholarworks.wmich.edu/pure/968>

This Document is brought to you for free and open access via ScholarWorks at WMU. It has been accepted for inclusion in Legacy Scout Tickets from Pure Oil Company by an authorized administrator of ScholarWorks at WMU. See the National Digital Catalogue - Science Base Catalogue for more collections submitted by MGRRE.



MGRRE_PureOilScoutTickets_Bennett, L._1_21021068160000

API 21021068160000

Permit Number 6816

Lease Name Bennett, L.

Well Number 1

County Berrien

Township 06S

Range 17W

Section 9

2021 DEQ or Pure co_name Hendershott and Potts

Pure Number 24

Latitude 41.96348

Longitude -86.2946

THE PURE OIL COMPANY

LOCATION REPORT

No. 24

DATE October 5, 1939

STATE Michigan COUNTY Berrien DIST. Berrien TWP. Berrien SEC. 9 TOWN 6-S RANGE 17 W
WELL No. 1 (SERIAL No. 24) FARM L. Bennett ACRES

NAME OF STREAM OR WATERS _____ QUADRANGLE NW-NE-SW

OPERATOR Hendershott & Potts Map Berrien Township, Berrien County
33330 Hendershott & Potts Berrien - Berrien

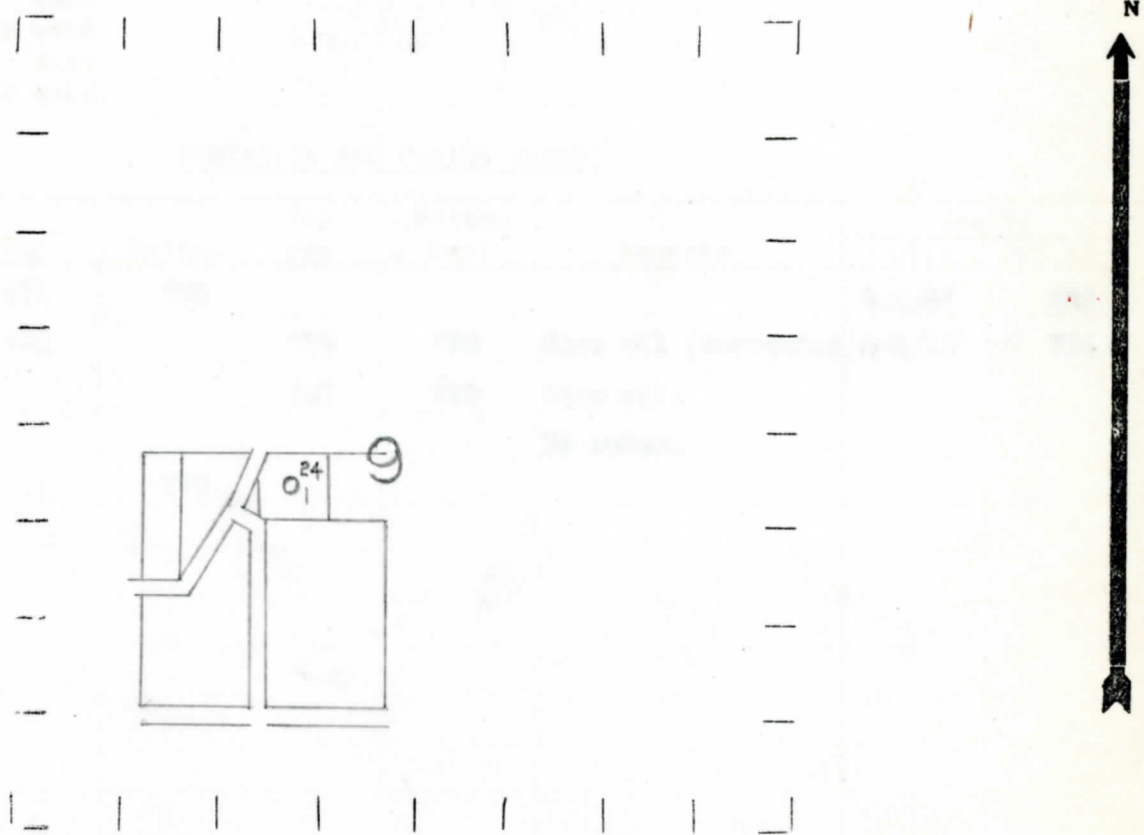
33330 Feet from North Line of Farm
" " East " " "
33330 " " South " " "
33330 " " West " " "
3330 Feet from North Line of Section
9990 " " East " 1/4 "
" " South " " "
" " West " " "

Handwritten sketch of a well location with a circle and a vertical line, and some scribbles.

LEGEND

- LOCATION
- ⊕ RIG
- ⊕ DRILLING
- ☀ GAS WELL
- OIL WELL
- ⊕ SMALL OIL WELL
- ⊕ DRY HOLE
- ⊕ DRY SHOWING OIL
- ⊕ DRY SHOWING GAS
- ⊕ ABANDONED LOCATION
- ☀ ABANDONED GAS WELL
- ⊕ ABANDONED OIL WELL

NOTE: Below make tracing from map, (when no map is obtainable make sketch) showing farm, center of section, this location with measurements and also wells, dry holes, or other locations in the vicinity of this location.



REMARKS:

SIGNED

Superintendent or Foreman.

COMPLETION RECORD OF WELLS DRILLED BY OTHER OPERATORS

Michigan Producing Division

Date December 6, 1939 No. 24
 State Mich. County Berrien ~~Sixty~~ Twp. Berrien Sec. 9 Twp. 6 S Rge. 17 W
 Well No. 1 (~~Serial No.~~) (~~Serial No.~~) 24 Farm L. Bennett Acres _____
 Operator Hendershott & Potts Information secured ~~from~~ By Scouting Department
 Date well started 10-18-39 Dated well completed 11-26-39 Elevation 743.5

PRODUCTION RECORD

1st 24 hours natural Dry Hole
 2nd 24 hours natural _____
 Date of shot _____ No. of quarts _____ From _____ to _____ From _____ to _____
 Date of acid _____ No. of gallons _____
 shot _____
 1st 24 hours after acid _____
 shot _____
 2nd 24 hours after acid _____

FORMATION AND CASING RECORD

| Formation | Top | Bottom | Top Pay | Bottom Pay | Remarks | Casing | |
|----------------------|------------|------------|------------|------------|-----------------------------|----------------|------------|
| | | | | | | Size | Set at |
| <u>Antrim</u> | <u>471</u> | <u>695</u> | | | | <u>8-5/8"</u> | <u>233</u> |
| <u>Traverse Lime</u> | <u>704</u> | | <u>723</u> | <u>726</u> | <u>Show oil (corrected)</u> | <u>5-3/16"</u> | <u>704</u> |
| | | | <u>727</u> | <u>730</u> | <u>Show oil.</u> | | |
| | | | | | <u>No water.</u> | | |
| <u>Total Depth</u> | | <u>779</u> | | | | | |

Remarks _____

Signed D. C. Shackelford