



Western Michigan University
ScholarWorks at WMU

Legacy Scout Tickets from Pure Oil Company

8-20-2021

**MGRRE_PureOilScoutTickets_Pere Marquette
Rr_1_21035104080000**

MGRRE
Western Michigan University

Follow this and additional works at: <https://scholarworks.wmich.edu/pure>



Part of the Geology Commons

WMU ScholarWorks Citation

MGRRE, "MGRRE_PureOilScoutTickets_Pere Marquette Rr_1_21035104080000" (2021). *Legacy Scout Tickets from Pure Oil Company*. 1461.
<https://scholarworks.wmich.edu/pure/1461>

This Document is brought to you for free and open access via ScholarWorks at WMU. It has been accepted for inclusion in Legacy Scout Tickets from Pure Oil Company by an authorized administrator of ScholarWorks at WMU. See the National Digital Catalogue - Science Base Catalogue for more collections submitted by MGRRE.



MGRRE_PureOilScoutTickets_Pere Marquette Rr_1_21035104080000

API 21035104080000

Permit Number 10408

Lease Name Pere Marquette Rr

Well Number 1

County Clare

Township 20N

Range 05W

Section 11

2021 DEQ or Pure co_name Taggart Brothers Company

Pure Number 557

Latitude 44.14043

Longitude -84.88109

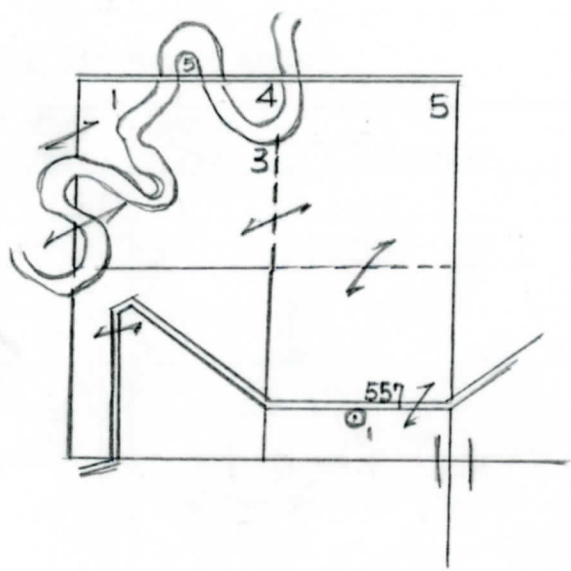
THE PURE OIL COMPANY LOCATION REPORT

Date October 25, 1943 A.F.E. No. _____
 Division Mich. Producing District _____ Lease Pere Marquette RR Co
Pere Marquette R. R. Co.
 Acres _____ Lease No. _____ Elevation _____ Well No. 1 (Serial No. 557)
 Quadrange C S 1/2 SE NW Sec. 11 Twp. 20 N Rge. 5 W Twp. Summerfield
 Survey _____ County Clare State Michigan
 Operator Taggart Bros Co
Taggart Brothers Company Map Summerfield Twp. - Clare Co.
Summerfield Township, Clare County

Feet from North Line of Lease
660 660 " " East " " "
330 330 " " South " " "
 " " West " " "
 Feet from North Line of Section
660 660 " " East " 1/4 "
330 330 " " South " " "
 " " West " " "

LEGEND

- ☉ Gas Well
- Oil Well
- ☼ Gas - Distillate Well
- ∅ or ○ Dry Hole
- or ● Dry Showing Oil
- Location
- ☉ Dry Showing Gas
- ⊗ Abandoned Location
- ☉ or ☉ Abandoned Gas Well
- or ● Abandoned Oil Well
- ⊗ or ⊗ Input Well



Remarks: _____

Submitted by RN Civil Engineer Approved by _____ Division Manager
 Approved by _____ Vice-President - General Manager

THE PURE OIL COMPANY
COMPLETION RECORD OF WELLS DRILLED BY OTHER OPERATORS

Michigan Producing Division

Date 10-13-43 No. 557
 State Mich. County Clare Twp. Summerfield Sec. 11 Twp. 20 N Rge. 5 W
 (Serial No.)
 Well No. 1 (County No.) 557 Farm Pere Marquette R. R. Acres
 Operator The Pure Oil Company Information secured ~~from~~ By Scouting Department
 Date well started 10-5-43 Date well completed 10-9-43 Elevation 1116.1

PRODUCTION BOARD

1st 24 hours natural Dry Hole
 2nd 24 hours natural
 Date of shot No. of quarts From to From to
 Date of acid No. of gallons
 shot
 1st 24 hours after acid
 shot
 2nd 24 hours after acid

FORMATION AND CASING RECORD

Formation	Top	Bottom	Top Pay	Bottom Pay	Remarks	Casing	
						Size	Set at
Brown Dolomite	1230					10"	182
Mich. Stray	1376	SLM					
Marshall	1458	SLM					
Total Depth		1470					

Remarks

Signed Dean C. Shackelford