



Western Michigan University
ScholarWorks at WMU

Legacy Scout Tickets from Pure Oil Company

8-20-2021

**MGRRE_PureOilScoutTickets_MOUNTS, GAY &
WILLIAM_1_21051099950000**

MGRRE

Western Michigan University

Follow this and additional works at: <https://scholarworks.wmich.edu/pure>



Part of the Geology Commons

WMU ScholarWorks Citation

MGRRE, "MGRRE_PureOilScoutTickets_MOUNTS, GAY & WILLIAM_1_21051099950000" (2021). *Legacy Scout Tickets from Pure Oil Company*. 2376.
<https://scholarworks.wmich.edu/pure/2376>

This Document is brought to you for free and open access via ScholarWorks at WMU. It has been accepted for inclusion in Legacy Scout Tickets from Pure Oil Company by an authorized administrator of ScholarWorks at WMU. See the National Digital Catalogue - Science Base Catalogue for more collections submitted by MGRRE.



MGRRE_PureOilScoutTickets_MOUNTS, GAY & WILLIAM_1_21051099950000

API 21051099950000

Permit Number 9995

Lease Name MOUNTS, GAY & WILLIAM

Well Number 1

County Gladwin

Township 18N

Range 1E

Section 28

2021 DEQ or Pure co_name MOGUL OIL CO

Pure Number 714

Latitude 43.93763

Longitude -84.35418

THE PURE OIL COMPANY
LOCATION REPORT

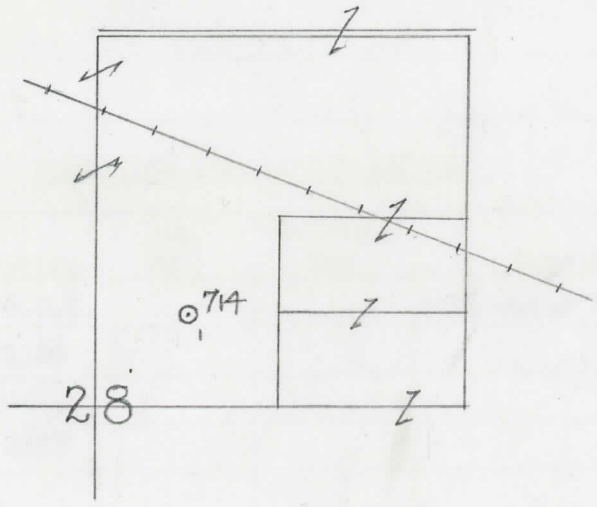
Date March 3, 1943 A.F.E. No. _____
 Division Mich. Producing District _____ Lease Gay & William Mounts
 Acres _____ Lease No. _____ Elevation _____ Well No. 1 (Serial No. 714)
 Quadrangle C SW NE Sec. 28 Twp. 18 N Rge. 1 E Twp. Hay
 Survey _____ County Gladwin State Michigan
 Operator The Mogul Oil Co. Map Hay Twp - Gladwin Co.
The Mogul Oil Company Hay Township, Gladwin County

Feet from North Line of Lease	
660	660
720	720
Feet from North Line of Section	
660	660
720	720

Loo

LEGEND

- Location
- ☀ Gas Well
- Oil Well
- ☀ Gas - Distillate Well
- or ○ Dry Hole
- Dry Showing Oil
- ☀ Dry Showing Gas
- ⊗ Abandoned Location
- ☀ or ☀ Abandoned Gas Well
- or ● Abandoned Oil Well
- or ○ Input Well



Scale _____

Remarks: _____

Submitted by RN Civil Engineer Approved by _____ Division Manager
 Approved by _____ Vice-President - General Manager

Date May 3, 1943

LOCATION RECORD
THE PURE OIL COMPANY

V.L.E. NO.

COMPLETION RECORD OF WELLS DRILLED BY OTHER OPERATORS

Michigan Producing Division

Date May 26, 1943 No. 714
 State Mich. County Gladwin Dist. Hay Sec. 28 Twp. 18 N Rge. 1 E
 Well No. 1 (Serial No.) 714 Farm Gay & Wm. Mounts Acres _____
 Operator Mogul Oil Company Information secured from Scouting Department By _____
 Date well started 3-22-43 Date well completed 5-21-43 Elevation 731.7

PRODUCTION RECORD
Dry Hole

1st 24 hours natural _____
 2nd 24 hours natural _____
 Date of shot _____ No. of quarts _____ From _____ to _____ From _____ to _____
 Date of acid _____ No. of gallons _____
 1st 24 hours after acid shot _____
 2nd 24 hours after acid shot _____

FORMATION AND CASING RECORD

Formation	Top	Bottom	Top Pay	Bottom Pay	Remarks	Casing	
						Size	Set at
Marshall	981	S.O.M.			Salt water 981.	10"	201
Red Rock	1100	1160				8-1/4"	768
Sunbury	2185					6-5/8"	1191
Berea	2220	2255				5-3/16"	3567
Antrim	2320						
Traverse Lime	2788	S.O.M.					
Dundee	3561	S.L.M.			Hole full water from 3786-3789.		
Total Depth		3789					

Remarks 971' OTM equals 981' SOM; 3538' OTM equals 3538' SLM.

Signed D. C. Shackelford