



Western Michigan University
ScholarWorks at WMU

Legacy Scout Tickets from Pure Oil Company

8-20-2021

MGRRE_PureOilScoutTickets_COWLES, F. R._1_21057111440000

MGRRE

Western Michigan University

Follow this and additional works at: <https://scholarworks.wmich.edu/pure>

 Part of the Geology Commons

WMU ScholarWorks Citation

MGRRE, "MGRRE_PureOilScoutTickets_COWLES, F. R._1_21057111440000" (2021). *Legacy Scout Tickets from Pure Oil Company*. 2630.

<https://scholarworks.wmich.edu/pure/2630>

This Document is brought to you for free and open access via ScholarWorks at WMU. It has been accepted for inclusion in Legacy Scout Tickets from Pure Oil Company by an authorized administrator of ScholarWorks at WMU. See the National Digital Catalogue - Science Base Catalogue for more collections submitted by MGRRE.



MGRRE_PureOilScoutTickets_COWLES, F. R._1_21057111440000

API 21057111440000

Permit Number 11144

Lease Name COWLES, F. R.

Well Number 1

County Gratiot

Township 11N

Range 3W

Section 26

2021 DEQ or Pure co_name ARENAC OIL AND GAS CO

Pure Number 236

Latitude 43.30983

Longitude -84.63196

THE PURE OIL COMPANY LOCATION REPORT

Date October 18, 1944

A.F.E. No. _____

Division Michigan Producing District _____

F. R. Cowles
F. R. Cowles

Acres _____ Lease No. _____ Elevation _____ Well No. 1 (Serial No. 236)

Quadrangle CSE Sec. 26 Twp. 11 N Rge. 3 W ~~EX. DIST.~~ Arcada
C SE 26 11 N 3 W Arcada

Survey _____ County Gratiot State Michigan

Operator Arenac Oil & Gas Co. Map Arcada Twp. - Gratiot Co.
Arenac Oil & Gas Co. Arcada Township, Gratiot County

Feet from North Line of Lease

1320 1320 " " East " " "

1320 1320 " " South " " "

" " West " " "

Feet from North Line of Section

1320 1320 " " East " " "

1320 1320 " " South " " "

" " West " " "

LEGEND

○ Location

☉ Gas Well

● Oil Well

☉ Gas - Distillate Well

○ or ○ Dry Hole

● Dry Showing Oil

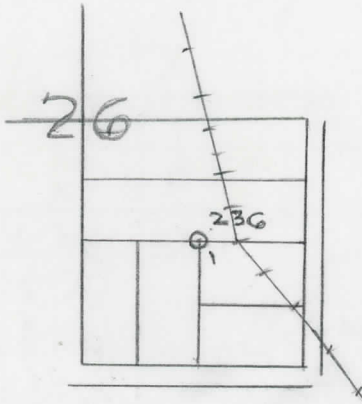
☉ Dry Showing Gas

⊙ Abandoned Location

☉ or ☉ Abandoned Gas Well

● or ● Abandoned Oil Well

⊙ or ⊙ Input Well



Scale _____

Remarks: _____

Submitted by RN _____
Civil Engineer

Approved by _____
Division Manager

Approved by _____
Vice-President - General Manager

