



Western Michigan University
ScholarWorks at WMU

Legacy Scout Tickets from Pure Oil Company

8-20-2021

MGRRE_PureOilScoutTickets_Upjohn Unemployment Corp._2_21077064890000

MGRRE

Western Michigan University

Follow this and additional works at: <https://scholarworks.wmich.edu/pure>



Part of the Geology Commons

WMU ScholarWorks Citation

MGRRE, "MGRRE_PureOilScoutTickets_Upjohn Unemployment Corp._2_21077064890000" (2021). *Legacy Scout Tickets from Pure Oil Company*. 3845.
<https://scholarworks.wmich.edu/pure/3845>

This Document is brought to you for free and open access via ScholarWorks at WMU. It has been accepted for inclusion in Legacy Scout Tickets from Pure Oil Company by an authorized administrator of ScholarWorks at WMU. See the National Digital Catalogue - Science Base Catalogue for more collections submitted by MGRRE.



MGRRE_PureOilScoutTickets_Upjohn Unemployment Corp._2_21077064890000

API 21077064890000

Permit Number 6489

Lease Name Upjohn Unemployment Corp.

Well Number 2

County Kalamazoo

Township 02S

Range 10W

Section 6

2021 DEQ or Pure co_name Twin Drilling Company

Pure Number 16

Latitude 42.33093

Longitude -85.51357

THE PURE OIL COMPANY

COMPLETION RECORD OF WELLS DRILLED BY OTHER OPERATORS LOCATION REPORT

DATE July 24, 1939

No. 16

STATE Michigan COUNTY Kalamazoo DIST. Comstock TWP. Comstock SEC. 6 TOWN 2 S RANGE 10 W

WELL No. 2 (SERIAL No. 16) FARM Upjohn Unemployment Corp. ACRES

NAME OF STREAM OR WATERS QUADRANGLE CE-NE-NE

OPERATOR Twin Drilling Company Map Comstock Township, Kalamazoo County

660 Feet from North Line of Farm 330 " " East " " "

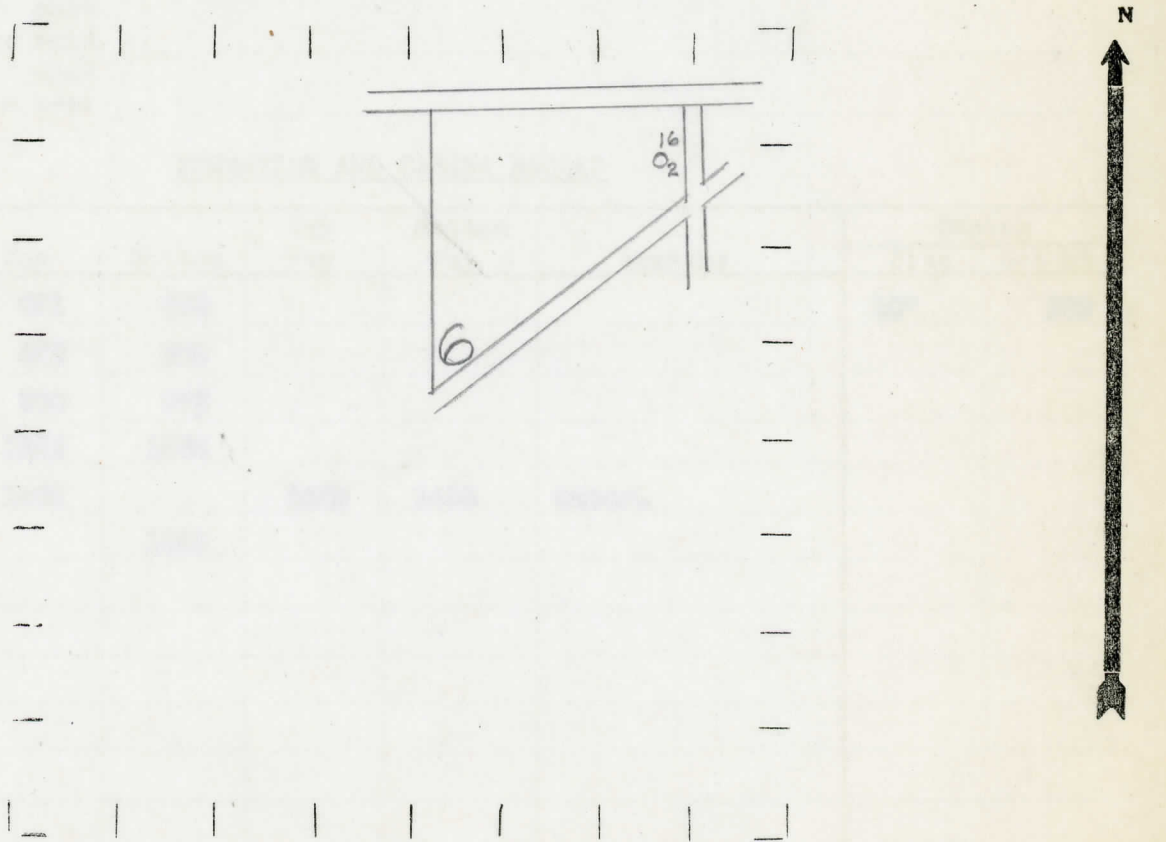
" " South " " " " " West " " "

6660 Feet from North Line of Section 3330 " " East " " "

" " South " " " " " West " " "

- LEGEND: LOCATION, RIG, DRILLING, GAS WELL, OIL WELL, SMALL OIL WELL, DRY HOLE, DRY SHOWING OIL, DRY SHOWING GAS, ABANDONED LOCATION, ABANDONED GAS WELL, ABANDONED OIL WELL

NOTE: Below make tracing from map, (when no map is obtainable make sketch) showing farm, center of section, this location with measurements and also wells, dry holes, or other locations in the vicinity of this location.



REMARKS:

SIGNED

Superintendent or Foreman.

