



Western Michigan University
ScholarWorks at WMU

Legacy Scout Tickets from Pure Oil Company

8-20-2021

MGRRE_PureOilScoutTickets_City of Grand Rapids_1_21081064860000

MGRRE

Western Michigan University

Follow this and additional works at: <https://scholarworks.wmich.edu/pure>



Part of the Geology Commons

WMU ScholarWorks Citation

MGRRE, "MGRRE_PureOilScoutTickets_City of Grand Rapids_1_21081064860000" (2021). *Legacy Scout Tickets from Pure Oil Company*. 4049.

<https://scholarworks.wmich.edu/pure/4049>

This Document is brought to you for free and open access via ScholarWorks at WMU. It has been accepted for inclusion in Legacy Scout Tickets from Pure Oil Company by an authorized administrator of ScholarWorks at WMU. See the National Digital Catalogue - Science Base Catalogue for more collections submitted by MGRRE.



MGRRE_PureOilScoutTickets_City of Grand Rapids_1_21081064860000

API 21081064860000

Permit Number 6486

Lease Name City of Grand Rapids

Well Number 1

County Kent

Township 06N

Range 12W

Section 3

2021 DEQ or Pure co_name Goodale Enterprises LLC

Pure Number 171

Latitude 42.9354806

Longitude -85.7240644

THE PURE OIL COMPANY

DATE July 24, 1939

LOCATION REPORT

No. 171

STATE Michigan COUNTY Kent DIST. Wyoming TWP. Wyoming SEC. 3 TOWN 6 N RANGE 12 W

WELL No. 1 (SERIAL No. 171) FARM City of Grand Rapids ACRES

NAME OF STREAM OR WATERS QUADRANGLE NW NW SW

OPERATOR Rex Oil & Gas Company Map Wyoming Township, Kent County

74 743 Feet from North Line of Farm

East

South

370 370 West

93 93 Feet from North Line of Section

East

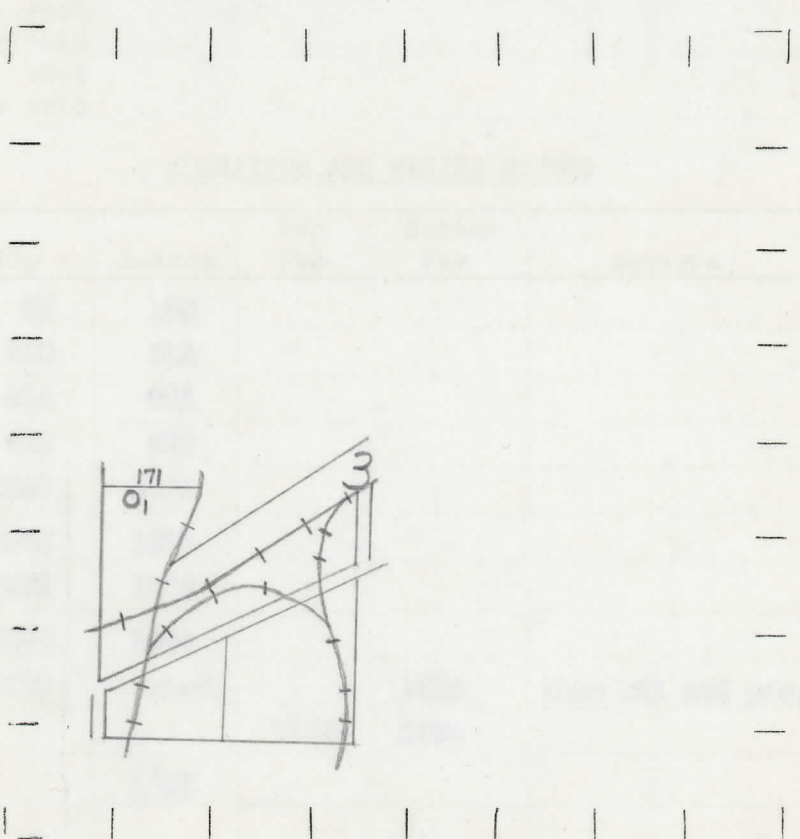
South

370 370 West

LEGEND

- O LOCATION
@ RIG
⊕ DRILLING
☀ GAS WELL
● OIL WELL
⊙ SMALL OIL WELL
⊖ DRY HOLE
⊕ DRY SHOWING OIL
⊖ DRY SHOWING GAS
⊙ ABANDONED LOCATION
☀ ABANDONED GAS WELL
⊙ ABANDONED OIL WELL

NOTE: Below make tracing from map, (when no map is obtainable make sketch) showing farm, center of section, this location with measurements and also wells, dry holes, or other locations in the vicinity of this location.



REMARKS:

SIGNED

Superintendent or Foreman.

Michigan Producing Division

Date August 10, 1939 No. 171
State Mich. County Kent District Wyoming Sec. 3 Twp. 6 N Rge. 12 W
Well No. 1 (Serial No.) 171 Farm City of Grand Rapids Acres
Operator Rex Oil & Gas Company Information secured from Scouting Department
Date well started 7-17-39 Dated well completed 8-1-39 Elevation 599.9

PRODUCTION RECORD

1st 24 hours natural Est. 1440 Barrels
2nd 24 hours natural
Date of shot No. of quarts From to From to
Date of acid No. of gallons
1st 24 hours after acid shot
2nd 24 hours after acid shot

FORMATION AND CASING RECORD

Table with 7 columns: Formation, Top, Bottom, Top Pay, Bottom Pay, Remarks, Casing (Size, Set at). Rows include Marshall, Coldwater Lime, Red Rock, Berea, Antrim, Traverse Lime, and Total Depth.

Remarks

Signed D. C. Shackelford