



Western Michigan University  
ScholarWorks at WMU

---

Legacy Scout Tickets from Pure Oil Company

---

8-20-2021

**MGRRE\_PureOilScoutTickets\_Central Land & P M  
RR\_3\_21081075370000**

MGRRE  
*Western Michigan University*

Follow this and additional works at: <https://scholarworks.wmich.edu/pure>



Part of the Geology Commons

---

#### **WMU ScholarWorks Citation**

MGRRE, "MGRRE\_PureOilScoutTickets\_Central Land & P M RR\_3\_21081075370000" (2021). *Legacy Scout Tickets from Pure Oil Company*. 4349.  
<https://scholarworks.wmich.edu/pure/4349>

This Document is brought to you for free and open access via ScholarWorks at WMU. It has been accepted for inclusion in Legacy Scout Tickets from Pure Oil Company by an authorized administrator of ScholarWorks at WMU. See the National Digital Catalogue - Science Base Catalogue for more collections submitted by MGRRE.



---

**MGRRE\_PureOilScoutTickets\_Central Land & P M RR\_3\_21081075370000**

API 21081075370000

Permit Number 7537

Lease Name Central Land & P M RR

Well Number 3

County Kent

Township 06N

Range 12W

Section 3

2021 DEQ or Pure co\_name Lease Management, Incorporated

Pure Number 471

Latitude 42.9381

Longitude -85.71316

THE PURE OIL COMPANY

LOCATION REPORT

No. 471

DATE April 17, 1940

STATE Michigan COUNTY Kent DIST. Wyoming TWP Wyoming SEC. 3 TOWN 6 N RANGE 12 W  
WELL No. 3 (SERIAL No. 471) FARM Central Land Co. and P. M. R. R. ACRES

NAME OF STREAM OR WATERS QUADRANGLE NE SW NE

OPERATOR Rex Oil and Gas Company Map Wyoming Township, Kent County

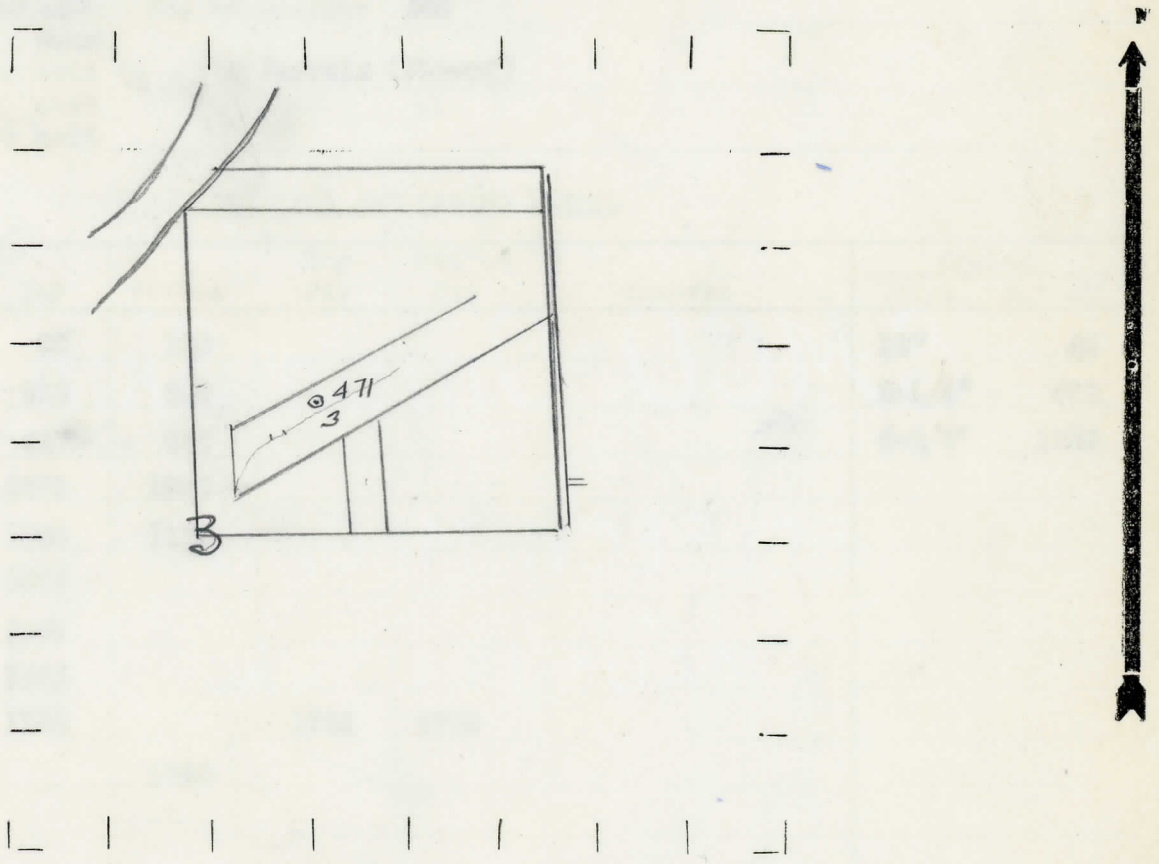
Feet from North Line of Farm  
" " East " " "  
320 320 " " South East " "  
300 300 " South West " " "  
Feet from North Line of Section  
" " East " " "  
940 940 " " South " 1/4 "  
708 708 " " West " " "

Low Wyoming - Kent

LEGEND

- LOCATION
- ⊕ RIG
- ⊕ DRILLING
- ☀ GAS WELL
- OIL WELL
- SMALL OIL WELL
- ⊖ DRY HOLE
- ◆ DRY SHOWING OIL
- ⊖ DRY SHOWING GAS
- ⊖ ABANDONED LOCATION
- ☀ ABANDONED GAS WELL
- ABANDONED OIL WELL

NOTE: Below make tracing from map. (when no map is obtainable make sketch) showing farm, center of section, this location with measurements and also wells, dry holes, or other locations in the vicinity of this location.



REMARKS:

SIGNED

W

Superintendent or Foreman.

COMPLETION RECORD OF WELLS DRILLED BY OTHER OPERATORS

Michigan Producing Division

Date May 1, 1940 No. 471  
 State Mich. County Kent ~~Dist.~~ Wyoming Sec. 3 Twp. 6 N Rge. 12 W  
 Well No. 3 (Serial No.) ~~(Serial No.)~~ 471 Farm Central Land, et al Acres \_\_\_\_\_  
 Operator Rex Oil and Gas Company Information secured ~~from~~ By Scouting Department  
 Date well started 4-12-40 Dated well completed 4-26-40 Elevation 597.8

PRODUCTION RECORD

1st 24 hours natural 100 Barrels (Flowed)  
 2nd 24 hours natural \_\_\_\_\_  
 Date of shot \_\_\_\_\_ No. of quarts \_\_\_\_\_ From \_\_\_\_\_ to \_\_\_\_\_ From \_\_\_\_\_ to \_\_\_\_\_  
 Date of acid 4-27-40 No. of gallons 500  
 1st 24 hours after acid 750 Barrels (Flowed)  
 2nd 24 hours after acid \_\_\_\_\_

FORMATION AND CASING RECORD

Formation	Top	Bottom	Top Pay	Bottom Pay	Remarks	Casing	
						Size	Set at
Marshall	80	180				10"	42
"	210	330				8-1/4"	370
Coldwater Line	627	640				6-5/8"	1728
Red Rock	1070	1080					
Berea	1080	1117					
Antrim (Light)	1475						
Antrim (dark)	1555						
Traverse Form.	1685						
Traverse Line	1728		1742	1752			
Total Depth		1760					

Remarks \_\_\_\_\_

Signed D. C. Shackelford