



Western Michigan University
ScholarWorks at WMU

Legacy Scout Tickets from Pure Oil Company

8-20-2021

**MGRRE_PureOilScoutTickets_McIntyre,
George_1_21087109360000**

MGRRE
Western Michigan University

Follow this and additional works at: <https://scholarworks.wmich.edu/pure>



Part of the Geology Commons

WMU ScholarWorks Citation

MGRRE, "MGRRE_PureOilScoutTickets_McIntyre, George_1_21087109360000" (2021). *Legacy Scout Tickets from Pure Oil Company*. 4626.
<https://scholarworks.wmich.edu/pure/4626>

This Document is brought to you for free and open access via ScholarWorks at WMU. It has been accepted for inclusion in Legacy Scout Tickets from Pure Oil Company by an authorized administrator of ScholarWorks at WMU. See the National Digital Catalogue - Science Base Catalogue for more collections submitted by MGRRE.



MGRRE_PureOilScoutTickets_McIntyre, George_1_21087109360000

API 21087109360000

Permit Number 10936

Lease Name McIntyre, George

Well Number 1

County Lapeer

Township 09N

Range 09E

Section 28

2021 DEQ or Pure co_name Sinclair Wyoming Oil Company

Pure Number 48

Latitude 43.15939

Longitude -83.42692

THE PURE OIL COMPANY

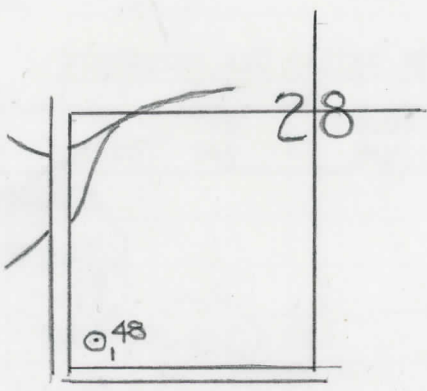
LOCATION REPORT

Date July 26, 1944 A.F.E. No. _____
 Division Mich. Producing District _____ Lease George McIntyre
 Acres _____ Lease No. _____ Elevation _____ Well No. 1 (Serial No. 48)
 Quadrangle SW-SW-SW Sec. 28 Twp. 9 N Rge. 9 E ~~Box~~ ~~Dist~~ Marathon
 Survey _____ County Lapeer State Michigan
 Operator Sinclair Wyoming Oil Co. Map Marathon Twp., Lapeer County

Feet from North Line of Lease	
_____	_____
330	330
330	330
Feet from North Line of Section	
_____	_____
330	330
330	330

LEGEND

- ☉ Gas Well
- Oil Well
- ☉ with horizontal lines Gas - Distillate Well
- or ○ with horizontal lines Dry Hole
- with horizontal lines Dry Showing Oil
- Location
- ☉ with vertical lines Dry Showing Gas
- with vertical lines Abandoned Location
- ☉ or ☉ with vertical lines Abandoned Gas Well
- or ● with vertical lines Abandoned Oil Well
- or ○ with vertical lines Input Well



Scale _____

Remarks: _____

Submitted by RN Civil Engineer Approved by _____ Division Manager
 Approved by _____ Vice-President - General Manager

COMPLETION RECORD OF WELLS DRILLED BY OTHER OPERATORS

Michigan Producing Division

Date October 11, 1944 No. 48
 State Mich. County Lapeer ~~XXXX~~ Twp. Marathon Sec. 28 Twp. 9 N Rge. 9 E
 Well No. 1 (~~XXXXXX~~) 48 Farm Geo. McIntyre Acres _____
 Operator Sinclair-Wyoming Oil Company Information secured ~~XXXX~~ By Scouting Department
 Date well started 8-13-44 Date well completed 10-9-44 Elevation 800.5

PRODUCTION BOARD

1st 24 hours natural Dry Hole
 2nd 24 hours natural _____
 Date of shot _____ No. of quarts _____ From _____ to _____ From _____ to _____
 Date of acid _____ No. of gallons _____
 1st 24 hours after acid shot _____
 2nd 24 hours after acid shot _____

FORMATION AND CASING RECORD

Formation	Top	Bottom	Top Pay	Bottom Pay	Remarks	Casing	
						Size	Set at
Coldw. Red Rock	657	(1144) 674				14"	174
Sunbury	1428	(-627)				10"	712
Berea	1478	(-677)			2 ba. S.W. 1483; 700 ft. at 1520.	8-1/4"	2110
Antrim	1729	1888	(-928)			6-5/8"	2591
Traverse Lime	1905	(-1104)			S.W. 2005 - 1/2 ba. per hr. H.F.S.W. 2030-2040.	(-1229)	
Dundee	2388	(-1587)			900 ft. salt water (-704) 2505; H.F.S.W. 2520; (-1719)		
					5 ba. salt water (-820) 2621; Increase at 2722. (-1921)		
Total Depth		2775	(-1974)				

Remarks 1747' equals 1751' SLM; 2582' equals 2591' SLM.

Signed D. C. Shackelford