



Western Michigan University
ScholarWorks at WMU

Legacy Scout Tickets from Pure Oil Company

8-20-2021

**MGRRE_PureOilScoutTickets_Crawford, Merle H. et
a_1_21111115560000**

MGRRE
Western Michigan University

Follow this and additional works at: <https://scholarworks.wmich.edu/pure>



Part of the Geology Commons

WMU ScholarWorks Citation

MGRRE, "MGRRE_PureOilScoutTickets_Crawford, Merle H. et a_1_21111115560000" (2021). *Legacy Scout Tickets from Pure Oil Company*. 5810.
<https://scholarworks.wmich.edu/pure/5810>

This Document is brought to you for free and open access via ScholarWorks at WMU. It has been accepted for inclusion in Legacy Scout Tickets from Pure Oil Company by an authorized administrator of ScholarWorks at WMU. See the National Digital Catalogue - Science Base Catalogue for more collections submitted by MGRRE.



MGRRE_PureOilScoutTickets_Crawford, Merle H. et al_1_21111115560000

API 21111115560000

Permit Number 11556

Lease Name Crawford, Merle H. et al

Well Number 1

County Midland

Township 15N

Range 02E

Section 20

2021 DEQ or Pure co_name Rex Oil and Gas Company

Pure Number 1147

Latitude 43.68456

Longitude -84.25588

THE PURE OIL COMPANY LOCATION REPORT

Date May 23, 1945

A.F.E. No. _____

Division Mich. Producing District _____

Merle H. Crawford, et al
Merle H. Crawford, et al

Acres _____ Lease No. _____ Elevation _____ Well No. 1 (Serial No. 1147)

Quadrangle SW SW SE Sec. 20 Twp. 15 N Rge. 2 E ~~Dist. Rge. Twp.~~ Larkin

Survey _____ County Midland State Michigan

Operator Rex Oil & Gas Co Map Larkin Twp. - Midland Co
Rex Oil & Gas Company Larkin Township, Midland County

Feet from North Line of Lease

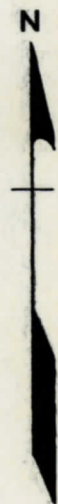
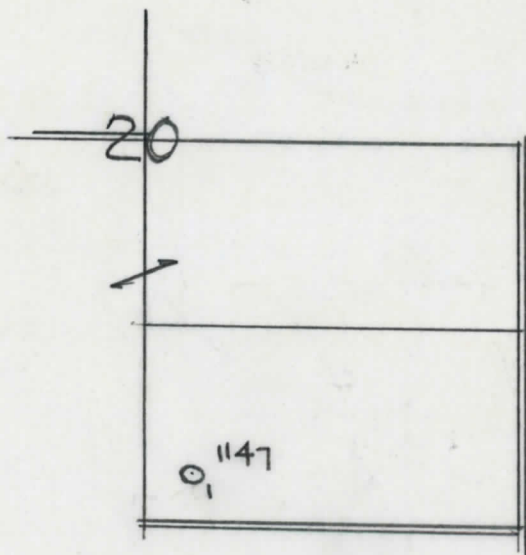
330	330	"	"	East	"	"	"
330	330	"	"	South	"	"	"
330	330	"	"	West	"	"	"

Feet from North Line of Section

330	330	"	"	East	"	"	"
330	330	"	"	South	"	"	<u>1/4</u>
330	330	"	"	West	"	"	"

LEGEND

- Location
- ☀ Gas Well
- Oil Well
- ☀ Gas - Distillate Well
- ∅ or ○ Dry Hole
- Dry Showing Oil
- ☀ Dry Showing Gas
- ⊖ Abandoned Location
- ☀ or ☀ Abandoned Gas Well
- or ● Abandoned Oil Well
- or ○ Input Well



Scale _____

Remarks: _____

Submitted by EW Civil Engineer Approved by _____ Division Manager

Approved by _____ Vice-President - General Manager

THE PURE OIL COMPANY

The Pure Oil Company
COMPLETION RECORD OF WELLS DRILLED BY OTHER OPERATORS

Michigan Producing Division

Date July 18, 1945 No. 1147
 State Mich. County Midland Dist. Larkin Twp. Larkin Sec. 20 Twp. 15 N Rge. 2 E
 (Serial No.)
 Well No. 1 (County No.) 1147 Farm Merle H. Crawford, et al Acres
 Operator Rex Oil & Gas Company Information secured ~~from~~ Scouting Department
 Date well started 5-22-45 Date well completed 7-11-45 Elevation 644.0

PRODUCTION BOARD

1st 24 hours natural Dry Hole
 2nd 24 hours natural
 Date of shot No. of quarts From To From to
 Date of acid No. of gallons
 1st 24 hours after acid shot
 2nd 24 hours after acid shot

FORMATION AND CASING RECORD

Formation	Top	Bottom	Top Pay	Bottom Pay	Remarks	Casing	
						Size	Set at
Marshall	1155	1355	SLM.	(-511)		10"	304
Coldw. Red Rock	2367	2372	(-1723)			8-1/4"	875
Sunbury	2383	(-1739)					
Berea	2404	(-1760)			Small show oil 2460-2483.	(-1816)	
Traverse Lime	2957	SLM.	(-2313)				
Dundee	3653	"	(-3009)		1000 ft. S.W. at 3841.	(-3197)	
Total Depth		3841	(-3197)				

Remarks 1164' equals 1176' SLM; 2995' equals 2990' SLM; 3609' equals 3606' SLM.

Signed D. C. Shackelford