



Western Michigan University  
ScholarWorks at WMU

---

Legacy Scout Tickets from Pure Oil Company

---

8-20-2021

**MGRRE\_PureOilScoutTickets\_Grice\_1\_21113122340000**

MGRRE

*Western Michigan University*

Follow this and additional works at: <https://scholarworks.wmich.edu/pure>



Part of the Geology Commons

---

#### **WMU ScholarWorks Citation**

MGRRE, "MGRRE\_PureOilScoutTickets\_Grice\_1\_21113122340000" (2021). *Legacy Scout Tickets from Pure Oil Company*. 6002.

<https://scholarworks.wmich.edu/pure/6002>

This Document is brought to you for free and open access via ScholarWorks at WMU. It has been accepted for inclusion in Legacy Scout Tickets from Pure Oil Company by an authorized administrator of ScholarWorks at WMU. See the National Digital Catalogue - Science Base Catalogue for more collections submitted by MGRRE.



---

**MGRRE\_PureOilScoutTickets\_Grice\_1\_21113122340000**

API 21113122340000

Permit Number 12234

Lease Name Grice

Well Number 1

County Missaukee

Township 23N

Range 07W

Section 20

2021 DEQ or Pure co\_name Reese, L. R.

Pure Number 208

Latitude 44.36963

Longitude -85.19089

THE PURE OIL COMPANY

LOCATION REPORT

Date April 17, 1946

A.F.E. No. \_\_\_\_\_

Division Mich. Producing District \_\_\_\_\_ Lease Grice

Acres \_\_\_\_\_ Lease No. \_\_\_\_\_ Elevation \_\_\_\_\_ Well No. 1 (Serial No. 208)

Quadrangle NW-SE-SW Sec. 20 Twp. 23 N Rge. 7 W ~~Dist.~~ Forest

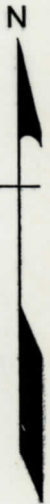
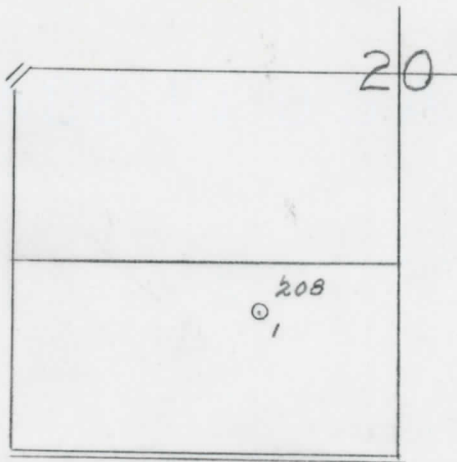
Survey \_\_\_\_\_ County Missaukee State Michigan

Operator L. R. Reese Map Forest Township, Missaukee County

<u>330</u>	<u>330</u>	Feet from North Line of Lease
		" " East " " "
		" " South " " "
<u>330</u>	<u>330</u>	" " West " " "
		Feet from North Line of Section
<u>990</u>	<u>990</u>	" " East " <u>1/4</u> "
<u>990</u>	<u>990</u>	" " South " " "
		" " West " " "

LEGEND

- Location
- ☀ Gas Well
- Oil Well
- ☀ Gas - Distillate Well
- ∅ or ○ Dry Hole
- Dry Showing Oil
- ☀ Dry Showing Gas
- ⊗ Abandoned Location
- ☀ or ☀ Abandoned Gas Well
- or ● Abandoned Oil Well
- or ○ Input Well



Remarks: \_\_\_\_\_

Scale \_\_\_\_\_

Submitted by CB Civil Engineer

Approved by \_\_\_\_\_ Division Manager

Approved by \_\_\_\_\_ Vice-President - General Manager

