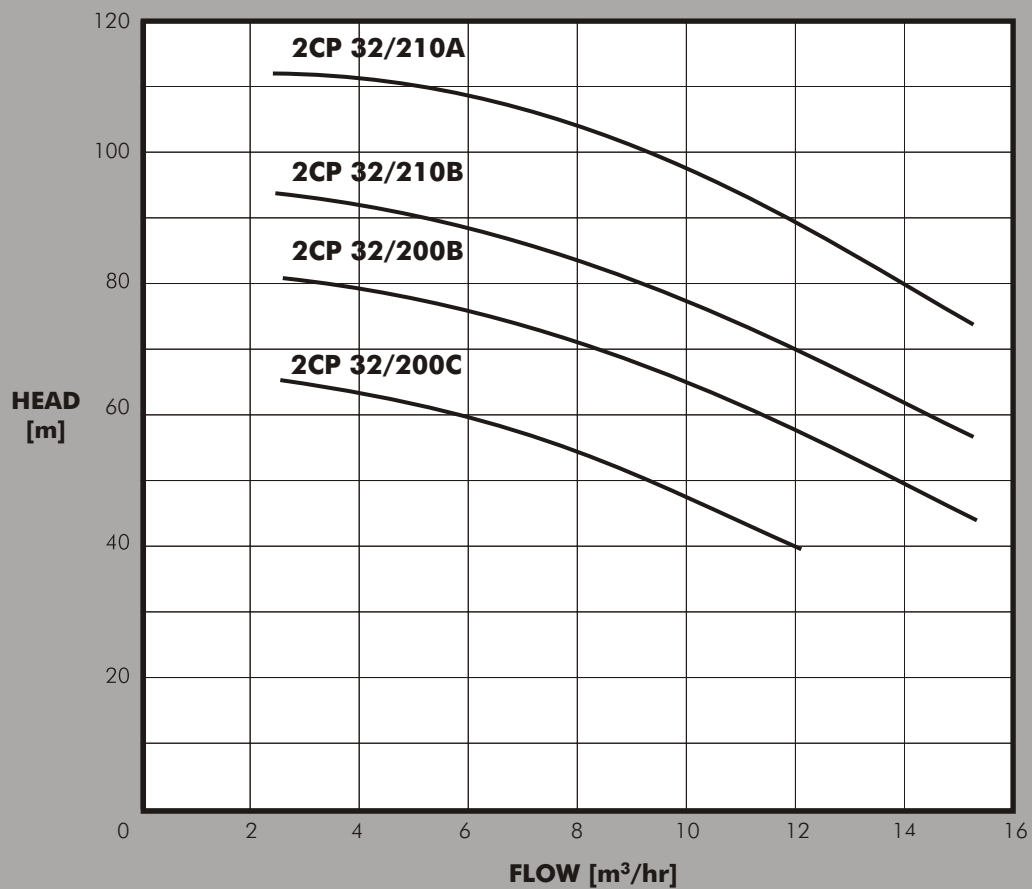


PEDROLLO

MADE IN ITALY

DATA SHEET

Horizontal Two Stage
Centrifugal Pumps **2CP**



Linz Electric is a brand of Pedrollo S.p.A and equivalent model references are identical products.

PUMP

The PEDROLLO 2CP pump range are twin impeller centrifugal pumps with close coupled motors. They are suitable for higher pressure domestic and industrial applications and are specially designed for continuous heavy duty use. A special feature of the design is a 'back-to-back' impeller configuration which balances radial loads and prolongs motor bearing life.

The pump body is constructed from cast iron and the impellers from brass alloy.

MOTOR

The close coupled fan cooled TEFC three-phase induction motors are non overloading and designed for continuous duty. A remote starter with thermal overload is necessary for motor protection.

Enclosure Class: IP44

Insulation Class: F

Voltage: 3x415V

Speed: 2900rpm

OPERATING CONDITIONS

Pumped liquid: Thin, clean, chemically non-aggressive liquids without abrasive particles or fibres .

Max. Fluid Temperature: +60°C

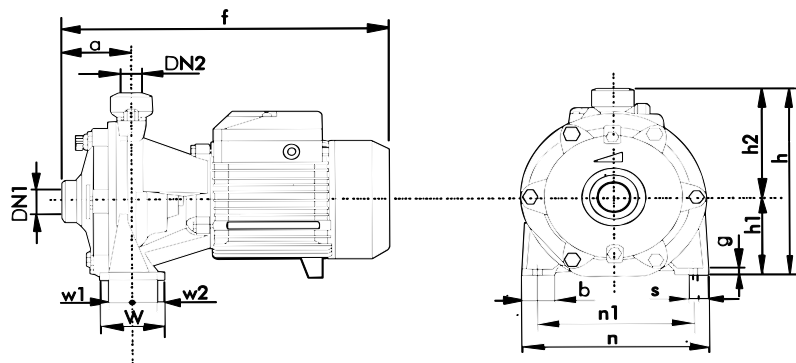
Max. Ambient Temperature: +40°C

ELECTRICAL DATA

Pump Type		Motor (kW)	Max. Current (Amps)
Pedrollo	Linz		
2CP 32/200C	C30	3	8
2CP 32/200B	C40	4	11
2CP 32/210B	C55	5.5	12
2CP 32/210A	C75	7.5	16

DIMENSIONS AND WEIGHT

Pump Type		Dimensions (mm)															Wt. (kgs)
Pedrollo	Linz	DN1	DN2	a	f	h	h1	h2	n	n1	w	w1	w2	b	g	s	
2CP 32/200C	C30	1 1/2"	1 1/4"	90	476	302	132	170	240	190	95	30	41	50	14	14	45
2CP 32/200B	C40	1 1/2"	1 1/4"	90	476	302	132	170	240	190	95	30	41	50	14	14	49
2CP 32/210B	C55	2"	1 1/4"	112	570	334	139	195	284	232	90	40	25	52	12	14	51
2CP 32/210A	C75	2"	1 1/4"	112	570	334	139	195	284	232	90	40	25	52	12	14	55



NB. Contents herein are not warranted. The right is reserved to amend specifications without notice.

AVAILABLE FROM

BP18BA-02/05

KENYA

NAIROBI - HEAD OFFICE
Dundori Rd, Industrial Area
PO BOX 41762, 00100 GPO
TEL: (+254 20) 558335, 536901, FAX: 557617
d&s@dayliff.com

NAIROBI - WESTLANDS
Centro Hse, Ring Road, Westlands
PO BOX 41762, 00100 GPO
TEL: (+254 20) 4448011/6, FAX: 4451038
westlands@dayliff.com

ELDORET

Uganda Rd, Firestone Bld, PO BOX 4776
TEL: (+254 53) 2061306, FAX: 2062335
d&s@eld.dayliff.com

KISUMU

Obote Rd, PO BOX 4690
TEL: (+254 57) 2024763/4, FAX: 2023103
d&s@ksm.dayliff.com

MOMBASA

Jomo Kenyatta Avenue, PO BOX 82438, 80100 GPO,
TEL: (+254 41) 490861, 492626, 495920, FAX: 490868
d&s@msa.dayliff.com

TANZANIA

DAR ES SALAAM
Gerezani Road
PO BOX 10725
TEL: (+255 22) 2112515/6, FAX: 2112513
office@tzdayliff.com

ARUSHA

Sokoine Road
PO BOX 10755
TEL: (+255 27) 2502517/8
noah.ars@tzdayliff.com

ZAMBIA

LUSAKA
Lunumba Road
PO BOX 112 F/W
TEL: (+260 1) 288010/11, FAX: 288010/11
d&s@zm.dayliff.com

KITWE

Plot 1269 Freetown Road
PO Box 22393
TEL: (+260 2) 221747, TEL/FAX: 221767
kitwe@zm.dayliff.com

UGANDA

KAMPALA
Jinja Road
PO BOX 22824
TEL: (+256 41) 346337/8
FAX: (+256 41) 346335
d&s@ug.dayliff.com

RWANDA

KIGALI
Muhima Road
BP 7039 Kigali
TEL: (+250) 08755381
hmuchiri@mail.com

www.dayliff.com



GRUNDFOS®

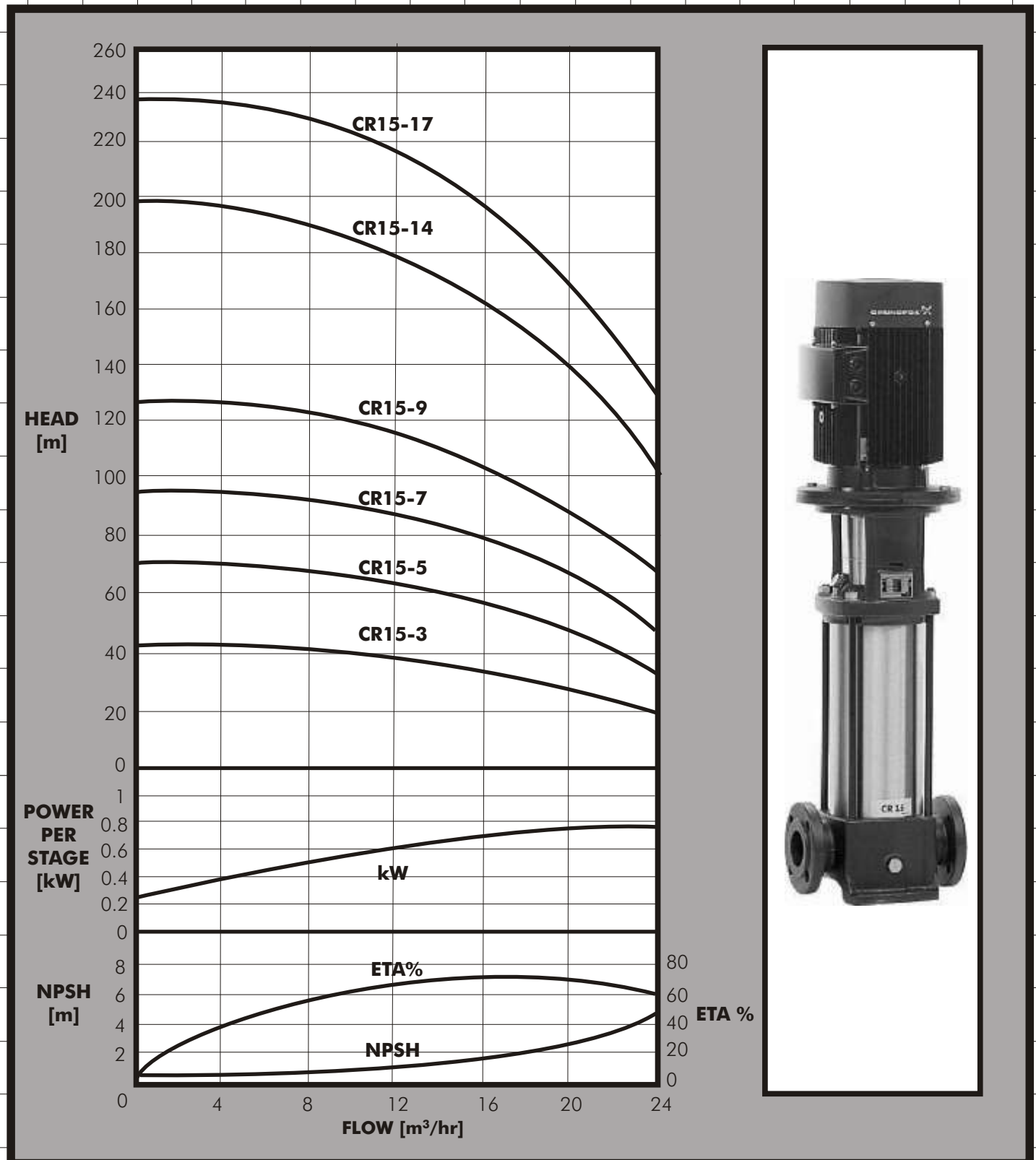
MADE IN DENMARK



DATA SHEET

Vertical Multistage Centrifugal Pumps

CR 15



PUMP

The GRUNDFOS CR pump range are of vertical multistage in-line centrifugal design suitable for a wide range of water supply, irrigation, liquid transfer and boosting applications. The pumps are of heavy duty construction and are designed for continuous duty in commercial and industrial installations. All vital components including the impellers, intermediate chambers and shaft are made from stainless steel and the top and bottom housings from cast iron. The pump is water lubricated and is provided with a tungsten carbide faced mechanical shaft seal.

For aggressive liquids the 'N' version is available which features stainless steel top and bottom pump housings.

MOTOR

The pumps are coupled to a totally enclosed fan cooled 2-pole GRUNDFOS motor complying with IEC & DIN standards. All motors must be connected to an effective motor starter in accordance with local regulations.

Enclosure Class: IP55 **Insulation Class:** F **Voltage:** 3x380-415 V **Speed:** 2900 rpm

OPERATING CONDITIONS

Pumped liquids: Thin, clean, non-aggressive and non-explosive liquids without solid particles or fibres.

Liquid Temperature Range: - 20°C to +120°C

Max Ambient Temperature: +40°C

Max Suction Lift: According to the NPSH curve plus a safety margin of 1 m.

Max Operating Pressure: Models up to CR 15-7 - 10 Bar, CR 15-9 - 16Bar
CR 15-14 and CR 15-17 - 25 Bar

ELECTRICAL DATA

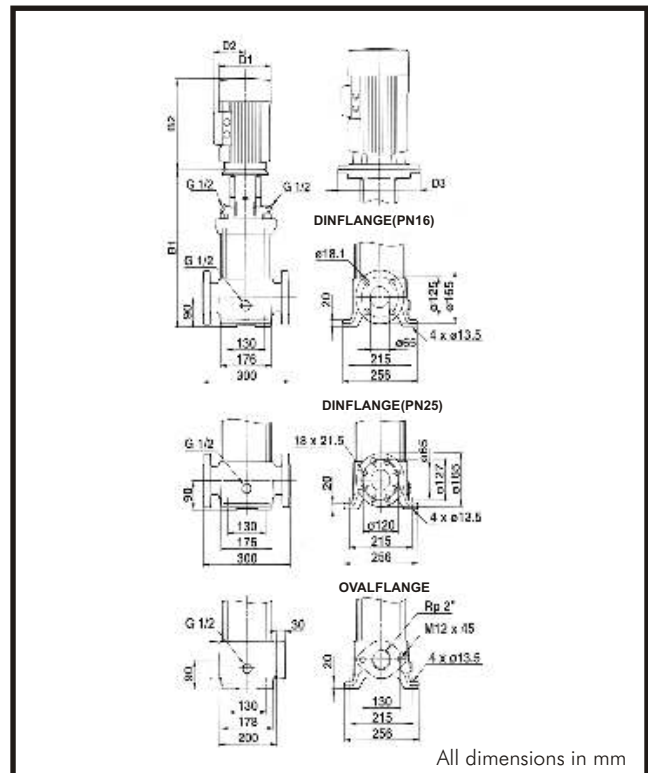
Pump Type	Motor		Full Load Current (A)	I start I
	kW	HP		
CR 15-3	3.0	4.0	6.4	8.3
CR 15-5	4.0	5.5	8.0	9.1
CR 15-7	5.5	7.5	11.0	9.3
CR 15-9	7.5	10.0	15.2	9.5
CR 15-14	11.0	15.0	21.5	7.7
CR 15-17	15.0	20.0	28.7	6.0

DIMENSIONS AND WEIGHTS

Pump Type	Dimensions mm						Net Weight (kgs)
	B ₁	B ₂	B ₁ +B ₂	D ₁	D ₂	D ₃	
CR 15-3*	465	335	800	220	120	-	54
CR 15-5*	555	372	927	220	134	-	67
CR 15-7*	677	391	1068	220	134	300	91
CR 15-9**	767	391	1158	260	134	300	97
CR 15-14**	1069	464	1533	260	172	352	138
CR 15-17**	1204	478	1682	306	197	352	155

* CR15 with oval flanges

**CR15 with DIN flanges



NB. Contents herein are not warranted. The right is reserved to amend specifications without notice.

AVAILABLE FROM

BG34B-2/05

KENYA

NAIROBI-HEADOFFICE
Dundori Rd, Industrial Area
PO BOX 41762, 00100 GPO
TEL: (+25420) 558335, 536901, F AX: 557617
d&s@dayliff.com

NAIROBI-WESTLANDS

CentroHse, Ring Road, Westlands
PO BOX 41762, 00100 GPO
TEL: (+25420) 444601, 116, F AX: 4451038
westlands@dayliff.com

ELDORET

Uganda Rd, Firestone Bld, PO BOX 4776
TEL: (+25453) 61306, F AX: 62335
d&s@eld.dayliff.com

KISUMU

Obote Rd, PO BOX 4690
TEL: (+25457) 2024763/4, F AX: 2023103
d&s@ksm.dayliff.com

MOMBASA

Jomo Kenyatta Avenue, PO BOX 2438, 80100 GPO
TEL: (+25441) 490861, 492626, 495920, F AX: 490868
d&s@msa.dayliff.com

TANZANIA

DARESSALAAM

Gererezi Road
PO BOX 10725
TEL: (+25522) 21 12515/6, F AX: 21 12513
office@tdzdayliff.com

ARUSHA

Sokone Road
PO BOX 10755
TEL: (+25527) 2502517/8
noah.ars@tdzdayliff.com

ZAMBIA

LUSAKA

Lumumba Road
PO BOX 112 F/W
TEL: (+2601) 288010/1 1, F AX: 288010/1
d&s@zm.dayliff.com

KITWE

Plot 1269, Freetown Road
PO BOX 22393
TEL: (+2602) 221747, TEL/F AX: 221767
kitwe@zm.dayliff.com

UGANDA

KAMPALA

Jinja Road
PO BOX 22824
TEL: (+25641) 346337/8
FAX: (+25641) 346335
d&s@ug.dayliff.com

RWANDA

KIGALI

Muhima Road
BP 7039 Kigali
TEL: (+250) 08755381
hmuchini@mail.com

www.dayliff.com





DAVIS & SHIRTLIFF (T) LTD
Nyerere Road
PO Box 2877, Mwanza, Tanzania
TEL: +255 28 2541971/2
FAX: +255 28 2541973
office@mwz.tzdayliff.com

Borehole and Surface Pumps • Swimming Pool Equipment • Water Treatment • Solar Equipment

PROFORMA INVOICE

Ref.P/ECM/071/10

May 27, 2010

OUR VAT REG. No.:10-005498-I

OUR TIN No.:100-147-785

LION OF JUDAH ACADEMY
P.O. Box 268,
MAGU
E-mail: josephalesmtebe@gmail.com
Tel: +255 784 535832

ATT: Mr Mtebe

RE: QUOTATION FOR THE SUPPLY & INSTALLATION OF SURFACE PUMP

Reference is made regarding the above and now have the pleasure in forwarding our quotation terms and condition as detailed below;

ITEM	DESCRIPTION	QTY	UNIT PRICE	DISC.	NETT(Tshs)
01	Grundfos CR 15-09, 7.5kW, 3Ph Pump	1	7,858,000	15%	6,679,300
02	Control Panel E307 MA, PP	1	2,206,000	10%	1,985,400
03	Sensus Water Meter WP DN50	1	1,367,000	10%	1,230,300
04	Pressure Gauge	1	126,000	0%	126,000
05	Plumbing Sundries (L/Sum)	1	1,890,000	0%	1,890,000
06	Electrical Sundries (L/Sum)	1	427,000	0%	427,000
07	Labour Charge for Technicians	1	1,350,000	0%	1,350,000
SUB TOTAL					13,688,000
VAT 18%					2,463,840
TOTAL(Tshs)					16,151,840

Availability: Approx 4 to 6 working weeks from date of confirmation of order

Payment: 70% with order, 30% after completion of installation

Validity: Subject to confirmation on the date of payment

Warranty: One year against Manufacture's fault

Note: 1. Quotation does not include transportation of equipments to site

2. Scope of work includes all plumbing connections from suction pipe to 3" delivery pipe, Electrical connections from our control panel to pump.

3. Electrical connections does not include connection of main switch, and Tanesco supply to pump house.

We trust you find our proposals of interest and look forward to your further instructions in due course.

Yours faithfully,
for Davis & Shirliff (T) LTD,

Ellison Malyi



DAVIS & SHIRTLIFF (T) LTD
Nyerere Road
PO Box 2877, Mwanza, Tanzania
TEL: +255 28 2541971/2
FAX: +255 28 2541973
office@mwz.tzdayliff.com

Borehole and Surface Pumps • Swimming Pool Equipment • Water Treatment • Solar Equipment

PROFORMA INVOICE

Ref.P/ECM/072/10

May 27, 2010

OUR VAT REG. No.:10-005498-I

OUR TIN No.:100-147-785

LION OF JUDAH ACADEMY
P.O. Box 268,
MAGU
E-mail: josephalesmtebe@gmail.com
Tel: +255 784 535832

ATT: Mr Mtebe

RE: QUOTATION FOR THE SUPPLY & INSTALLATION OF SURFACE PUMP

Reference is made regarding the above and now have the pleasure in forwarding our quotation terms and condition as detailed below;

ITEM	DESCRIPTION	QTY	UNIT PRICE	DISC.	NETT(Tshs)
01	Pedrollo 2CP 32/210A, 7.5kW, 3Ph Pump	1	3,285,000	15%	2,792,250
02	Control Panel E307 MA, PP	1	2,206,000	10%	1,985,400
03	Sensus Water Meter 405S DN40	1	580,000	10%	522,000
04	Pressure Gauge	1	126,000	0%	126,000
05	Plumbing Sundries (L/Sum)	1	1,666,000	0%	1,666,000
06	Electrical Sundries (L/Sum)	1	427,000	0%	427,000
07	Labour Charge for Technicians	1	1,350,000	0%	1,350,000
SUB TOTAL					8,868,650
VAT 18%					1,596,357
TOTAL(Tshs)					10,465,007

Availability: Approx 4 to 6 working weeks from date of confirmation of order

Payment: 70% with order, 30% after completion of installation

Validity: Subject to confirmation on the date of payment

Warranty: One year against Manufacture's fault

Note: 1. Quotation does not include transportation of equipments to site

2. Scope of work includes all plumbing connections from suction pipe to 3" delivery pipe, Electrical connections from our control panel to pump.

3. Electrical connections does not include connection of main switch, and Tanesco supply to pump house.

We trust you find our proposals of interest and look forward to your further instructions in due course.

Yours faithfully,
for Davis & Shirliff (T) LTD,

Ellison Malyi



DNN



405S



410S



WP

Sensus Metering Systems is a new name for one of the world's leading water metering solution providers with a 150-year history and a world-wide presence. The Group has evolved from the merger of a number of world renowned meter manufacturing companies in the USA, Germany, UK and France to offer unmatched choice, technology and quality for all water metering requirements.

Specifically the following products are offered from stock, though many other metering solutions for specialised applications are available to special order.

DNN

A budget meter of dry single jet type specifically designed for monitoring individual consumer demand from a centralised bulk utility supply, especially for apartment blocks, housing compounds and commercial buildings.

Features include dry dial design with 8-digit configuration reading to 1 litre and suitability for vertical and horizontal installation. Materials used are precision moulded plastic for the totalizer gears and casing and a brass body.

405S

A heavy-duty meter designed for water supply metering by utilities and other water providers who demand reliability, accuracy and consistency. The range is of dry dial multijet type with a protected magnetic transmission between the measuring element and the output display. The display is of 8-digit configuration reading to 1 litre and incorporates a rotating indicator disc to show the passage of water.

Special features to ensure reliability include a tubular pre-strainer, specially designed injection box for easy particle passage and sealed dry totalizer. Meter materials includes a brass body and precision moulded plastic metering and totalizer components with plastic totalizer casings for the 15 & 20 sizes and brass for the 30 & 40 sizes.

410S

Of similar specification to the 405S range, though incorporates an all-brass body and double totalizer casing with scratch-proof mineralized sight glass for heavy duty applications. These meters have high resistance to impact and corrosion and can be installed permanently submerged.

WP Range

A specially designed heavy-duty meter for bulk flow applications where reliability, accuracy and long life are demanded. The meter is of woltman type with protected magnetic transmission, IP68 copper/glass register and the output display has a 6-digit m³ readout with needle indicators for flow to 1 litre. The meter body is constructed of heavy duty cast-iron with flanged connections and the measuring element and rotor of engineering plastic. All WP meters are pre-equipped for remote reading and data logging applications (flow rate, pressure, etc).

PERFORMANCE DATA

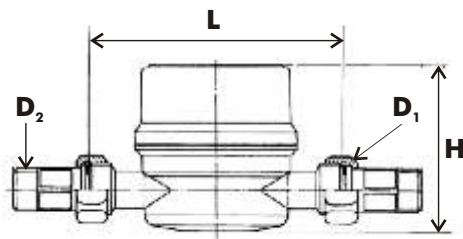
MODEL	DNN	410S	405S				WP		
			15	20	30	40	50	80	100
Nominal Size (mm)	15	15	15	20	30	40	50	80	100
Rated Flow (m ³ /hr)	1.5	1.5	1.5	2.5	6	10	15	40	60
Max Flow (m ³ /hr)	3	3	3	5	12	20	90	200	300
Min Flow (litre/hr)	30	30	30	50	120	200	300	500	800
Pressure Rating (Bar)	10	16	16	16	16	16	16	16	16
Max Operating Temp (°C)	40	40	40	40	40	40	50	50	50
Max Pipe Size	1"	1"	1"	1 1/4"	1 1/2"	2"	2 1/2"	4"	6"
Pressure Loss at Rated Flow (Bar)	0.25	0.18	0.18	0.19	0.24	0.22	0.01	0.02	0.03
Pressure Loss at Max Flow (Bar)	1	0.6	0.6	0.8	0.85	0.6	0.2	0.3	0.5

DIMENSIONS AND WEIGHTS

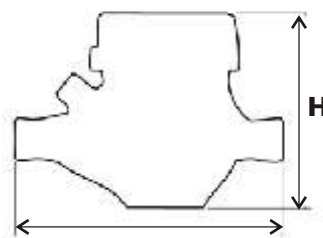
MODEL	DNN	410S	405S				WP		
			15	20	30	40	50	80	100
Nominal Size (mm)	15	15	15	20	30	40	50	80	100
Meter Thread (D ₁)	3/4" BSP	3/4" BSP	3/4" BSP	1" BSP	1 1/2" BSP	2" BSP	N/A	N/A	N/A
Connector Thread (D ₂)*	1/2" BSP	1/2" BSP	1/2" BSP	3/4" BSP	1 1/4" BSP	1 1/2" BSP	N/A	N/A	N/A
Flange Size (F)	N/A	N/A	N/A	N/A	N/A	N/A	160	200	250
Length (L)	80	170	170	190	260	300	200	200	250
Height (H)	70	118	104	104	142	160	193	205	255
Width	70	95	82	82	102	136	160	200	250
Weight (kgs)	0.4	1.6	0.9	1.1	2.3	4.3	7.7	10.6	15

* Threaded meters are supplied with union connectors

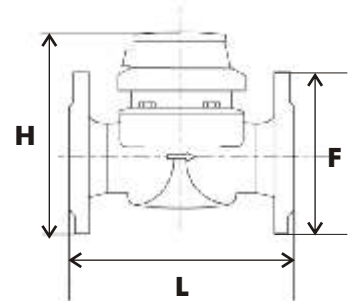
All dimensions in mm



DNN



405S/410S



WP

NB. Contents herein are not warranted. The right is reserved to amend specifications without notice.

AVAILABLE FROM

BM4A-09/05



KENYA

NAIROBI - HEAD OFFICE
TEL: (254 20) 558335, 536901, FAX: 557617
d&s@dayliff.com

WESTLANDS
TEL: (254 20) 4446011, 4446016, FAX: 4442568
westlands@dayliff.com

ELDORET

TEL: (254 53) 2061306, FAX: 2062335
eids@eld.dayliff.com

KISUMU

TEL: (254 57) 2024763, FAX: 2023103
d&s@ksm.dayliff.com

MOBASA

TEL: (254 41) 2490861, 2492626, FAX: 2490868
d&s@msa.dayliff.com

UGANDA

KAMPALA
TEL: (6 41) 346337/8, FAX: 346335
d&s@ug.dayliff.com

TANZANIA

DAR ES SALAAM
TEL: (255 22) 2112515/6, FAX: 2112513
office@tzdayliff.com

ARUSHA

TEL: (255 25) 2502517/8, FAX: 2502516
noah.ars@tzdayliff.com

ZAMBIA

LUSAKA
TEL: (260 1) 288010/11, FAX: (01) 288010
d&s@zm.dayliff.com

KITWE

TEL: (260 2) 221747, TEL/FAX: 221767
kitwe@zm.dayliff.com

RWANDA

KIGALI
TEL: (250) 504033/9
sales@dayliff.co.rw

www.dayliff.com